

## AGS5500/AGR5500

Air curtain for doors in industrial and large premises, with intelligent control

Recommended installation height 5,5 m\*

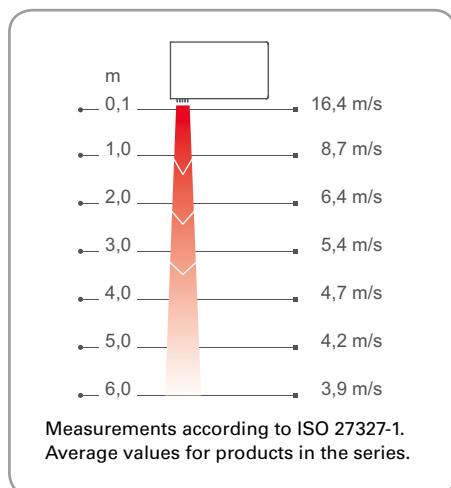
AGS/AGR is a powerful air curtain series intended for industrial doors but it can also be used for entryways in other large premises such as shopping malls. AGS5500 is surface mounted and AGR5500 is intended for recessed mounting.

- The following models are available for special order:
  - with electrical heating
  - with alternative water connections
  - for vertical installation
- The grille is easy to clean from the outside.
- Adjustable outlet grille makes it possible to direct the air for optimum air curtain effect.
- Corrosion proof housing made of hot zinc-plate and powder enamelled steel panels. Colour: white, RAL 9016, NCS S 0500-N. Colour grille: grey, RAL 7046.



Optimized airflow with Thermozone technology.

### Air velocity profile



### Control

SIRE Basic      SIRE Competent      SIRE Advanced

This air curtain is supplied prepared for the SIRE control system that has many smart and energy saving functions. There are three different levels with different functionality to choose from, Basic, Competent or Advanced. Water heated units must always be supplemented with valves. For further information and options, see the "Controls" section.

\*) Recommended installation height varies depending on the relevant premises.

## Surface mounting

✿ Ambient, no heat - AGS5500 A (IP24)

Type	Output [kW]	Airflow* <sup>1</sup> [m <sup>3</sup> /h]	Sound power* <sup>2</sup> [dB(A)]	Sound pressure* <sup>3</sup> [dB(A)]	Voltage motor [V]	Amperage motor [A]	Length [mm]	Weight [kg]
AGS5515A	0	2500/5800	86	51/70	230V~	8,1	1515	114
AGS5520A	0	3750/8700	88	52/72	230V~	12,1	2010	149
AGS5525A	0	5000/11600	89	53/73	230V~	16,2	2520	189
AGS5530A	0	6250/14500	90	55/74	230V~	20,3	3030	229

💧 Water heat - AGS5500 WL, coil for low water temperature (≤80 °C) (IP24)

Type	Output* <sup>5</sup> [kW]	Airflow* <sup>1</sup> [m <sup>3</sup> /h]	Δt* <sup>4,5</sup> [°C]	Water volume [l]	Sound power* <sup>2</sup> [dB(A)]	Sound pressure* <sup>3</sup> [dB(A)]	Voltage motor [V]	Amperage motor [A]	Length [mm]	Weight [kg]
AGS5515WL	26	2500/5500	19/14	4,0	85	50/69	230V~	7,7	1515	131
AGS5520WL	45	3750/8250	22/16	8,1	86	51/70	230V~	11,6	2010	177
AGS5525WL	59	5000/11000	21/16	9,2	88	52/72	230V~	15,4	2520	222
AGS5530WL	71	6250/13750	20/15	11,0	89	54/73	230V~	19,3	3030	268

💧 Water heat - AGS5500 WH, coil for high temperature water (≥80 °C) (IP24)

Type	Output* <sup>6</sup> [kW]	Airflow* <sup>1</sup> [m <sup>3</sup> /h]	Δt* <sup>4,6</sup> [°C]	Water volume [l]	Sound power* <sup>2</sup> [dB(A)]	Sound pressure* <sup>3</sup> [dB(A)]	Voltage motor [V]	Amperage motor [A]	Length [mm]	Weight [kg]
AGS5515WH	34	2500/5500	25/18	3,8	85	50/69	230V~	7,7	1515	129
AGS5520WH	57	3750/8250	27/20	4,9	86	51/70	230V~	11,6	2010	169
AGS5525WH	74	5000/11000	27/20	6,4	88	52/72	230V~	15,4	2520	213
AGS5530WH	92	6250/13750	27/20	7,6	89	54/73	230V~	19,3	3030	258

## Recessed mounting

✿ Ambient, no heat - AGR5500 A (IP24)

Type	Output [kW]	Airflow* <sup>1</sup> [m <sup>3</sup> /h]	Sound power* <sup>2</sup> [dB(A)]	Sound pressure* <sup>3</sup> [dB(A)]	Voltage motor [V]	Amperage motor [A]	Length [mm]	Weight [kg]
AGR5515A	0	2500/5800	86	51/70	230V~	8,1	1515	134
AGR5520A	0	3750/8700	88	52/72	230V~	12,1	2010	174
AGR5525A	0	5000/11600	89	53/73	230V~	16,2	2520	219
AGR5530A	0	6250/14500	90	55/74	230V~	20,3	3030	269

💧 Water heat - AGR5500 WL, coil for low water temperature (≤80 °C) (IP24)

Type	Output* <sup>5</sup> [kW]	Airflow* <sup>1</sup> [m <sup>3</sup> /h]	Δt* <sup>4,5</sup> [°C]	Water volume [l]	Sound power* <sup>2</sup> [dB(A)]	Sound pressure* <sup>3</sup> [dB(A)]	Voltage motor [V]	Amperage motor [A]	Length [mm]	Weight [kg]
AGR5515WL	26	2500/5500	19/14	4,0	85	50/69	230V~	7,7	1515	151
AGR5520WL	45	3750/8250	22/16	8,1	86	51/70	230V~	11,6	2010	208
AGR5525WL	59	5000/11000	21/16	9,2	88	52/72	230V~	15,4	2520	252
AGR5530WL	71	6250/13750	20/15	11,0	89	54/73	230V~	19,3	3030	308

💧 Water heat - AGR5500 WH, coil for high temperature water (≥80 °C) (IP24)

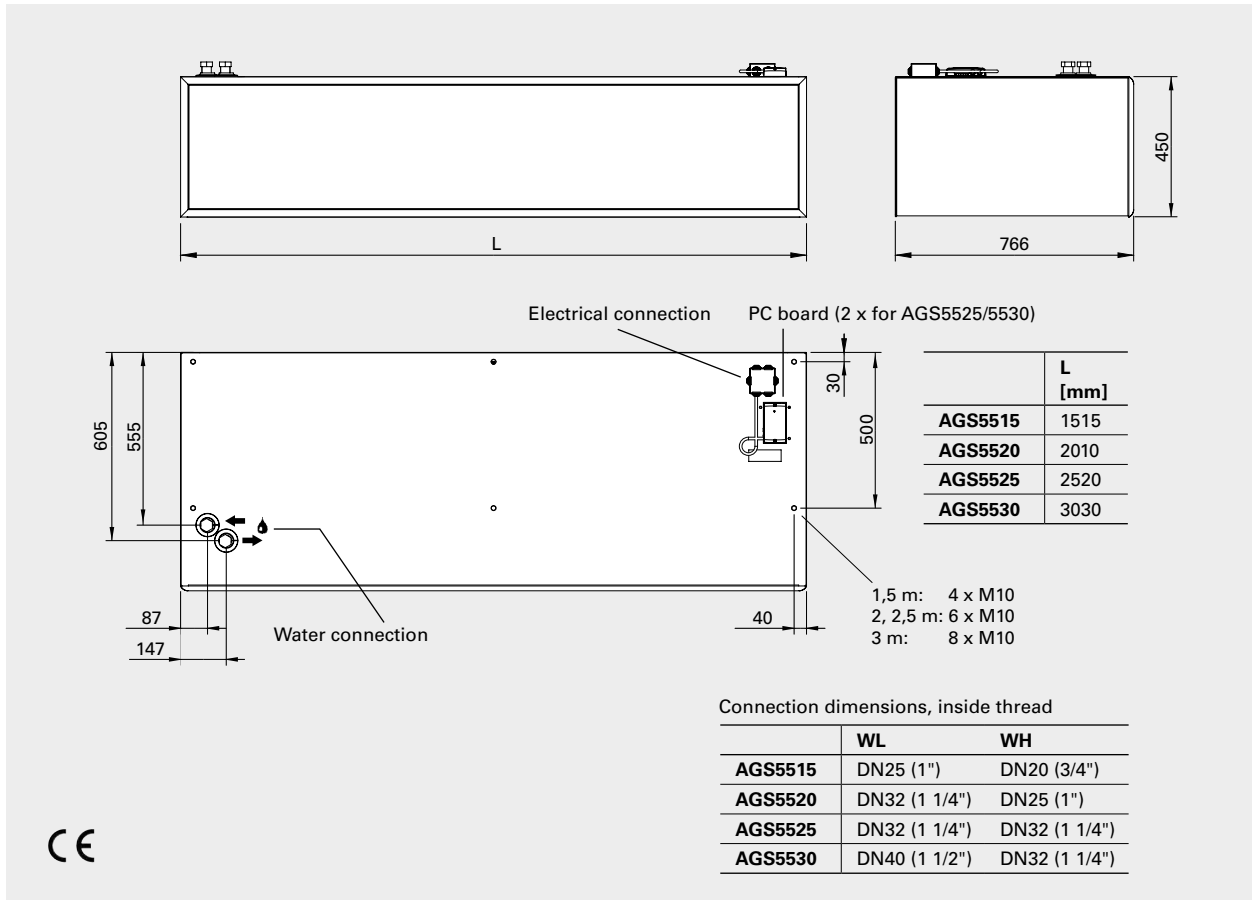
Type	Output* <sup>6</sup> [kW]	Airflow* <sup>1</sup> [m <sup>3</sup> /h]	Δt* <sup>4,6</sup> [°C]	Water volume [l]	Sound power* <sup>2</sup> [dB(A)]	Sound pressure* <sup>3</sup> [dB(A)]	Voltage motor [V]	Amperage motor [A]	Length [mm]	Weight [kg]
AGR5515WH	34	2500/5500	25/18	3,8	85	50/69	230V~	7,7	1515	149
AGR5520WH	57	3750/8250	27/20	4,9	86	51/70	230V~	11,6	2010	194
AGR5525WH	74	5000/11000	27/20	6,4	88	52/72	230V~	15,4	2520	243
AGR5530WH	92	6250/13750	27/20	7,6	89	54/73	230V~	19,3	3030	298

\*<sup>1</sup>) Lowest/highest airflow of totally 5 fan steps.\*<sup>2</sup>) Sound power ( $L_{WA}$ ) measurements according to ISO 27327-2: 2014, Installation type E.\*<sup>3</sup>) Sound pressure ( $L_{pA}$ ). Conditions: Distance to the unit 5 metres. Directional factor: 2. Equivalent absorption area: 200 m<sup>2</sup>. At lowest/highest airflow.\*<sup>4</sup>) Δt = temperature rise of passing air at maximum heat output and lowest/highest airflow.\*<sup>5</sup>) Applicable at water temperature 60/40 °C, air temperature, in +18 °C.\*<sup>6</sup>) Applicable at water temperature 80/60 °C, air temperature, in +18 °C.

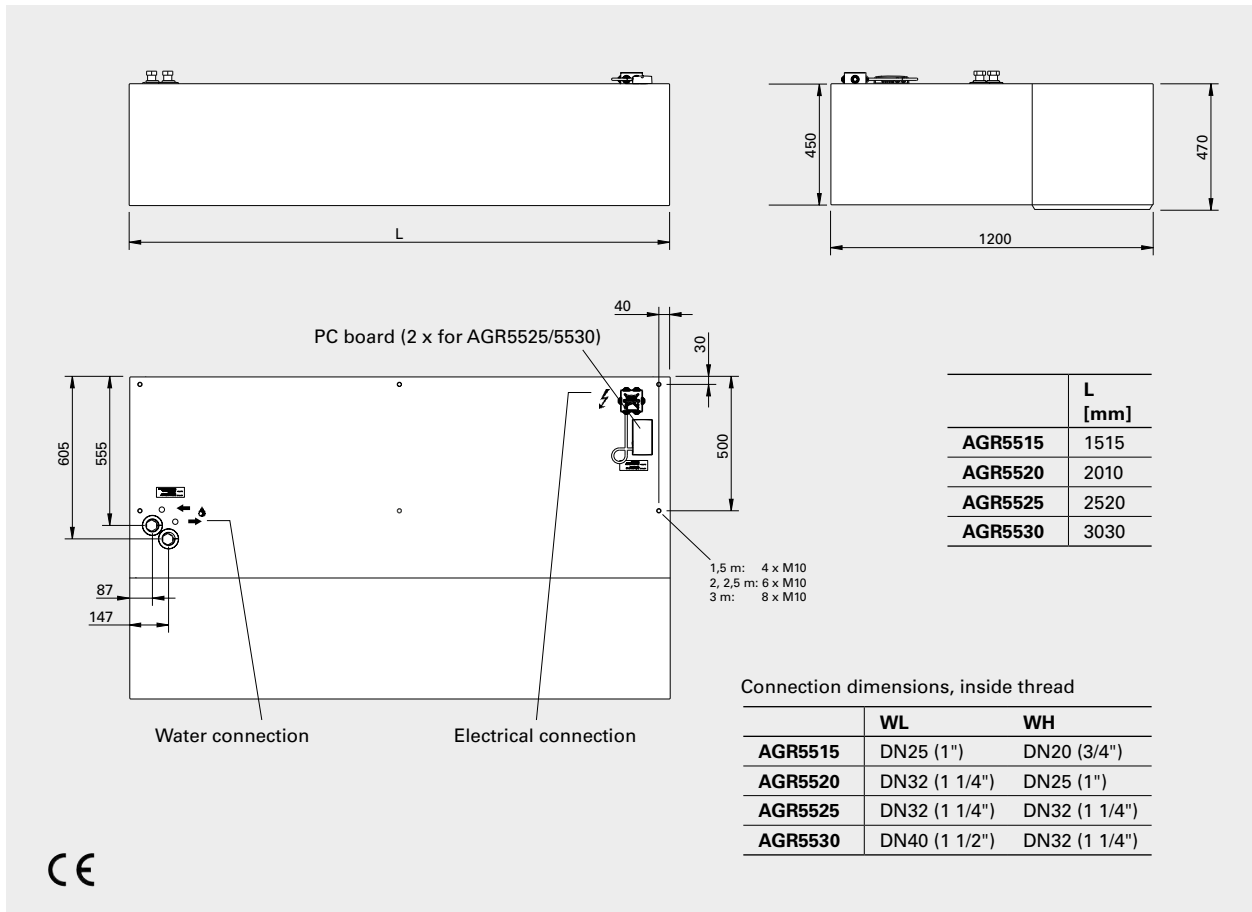
Models 1,5m – 2,5m approved for 220-230V/1ph/60Hz are available on request. Product performance for 220-230V/1ph/60Hz will differ from stated data.

# AGS5500/AGR5500

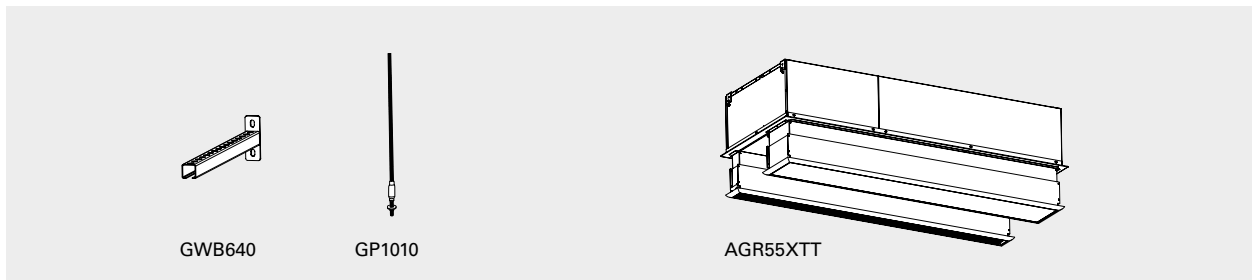
## Dimensions AGS5500



## Dimensions AGR5500



Accessories



**GWB640**, wall bracket  
 Brackets for installing unit horizontally on a wall. Two are required for 1 and 1.5 metre units, while 2 and 2.5 metre units need three and 3 metre units need four.

**AGR55XTT**, extension  
 Outlet/inlet extension for a discreet installation with only the outlet and inlet visible in the ceiling.

**GP1010**, threaded bar  
 Threaded bar for mounting in ceilings. Length 1 m. M10. Four are required for 1 and 1.5 metre units, while 2 and 2.5 metre units need six and 3 metre units need eight.

Type	Description	Length
<b>GWB640</b>	Wall bracket	640 mm
<b>GP1010</b>	Threaded bar	1 m
<b>AGR55XTT15</b>	Outlet/inlet extension AGR5515	133-200 mm
<b>AGR55XTT20</b>	Outlet/inlet extension AGR5520	133-200 mm
<b>AGR55XTT25</b>	Outlet/inlet extension AGR5525	133-200 mm
<b>AGR55XTT30</b>	Outlet/inlet extension AGR5530	133-200 mm

For mounting, connection, wiring diagrams and other technical information, please see the manual.

